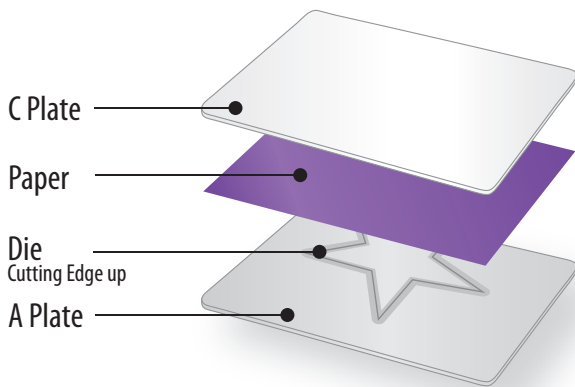


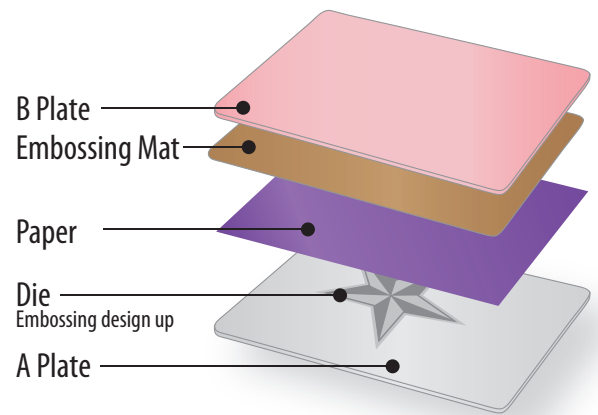
How to use
MIX & MATCH DIES
SPELLBINDERS™ GRAND CALIBUR®



CUT



EMBOSS



CUT & EMBOSS TOGETHER!

{IT ONLY TAKES 3 STEPS!}

- TAPE THE EMBOSSING PLATE & DIE TOGETHER SO THEY DO NOT MOVE.
- FOLLOW THE CUTTING DIRECTIONS.
- FOLLOW THE EMBOSSING DIRECTIONS.

QUESTIONS?

Please refer to your machine's instructions for using thin metal dies. If you have questions please contact the machine manufacturer.

WE ARE HERE TO HELP.

800-448-6656 or help@momenta.com